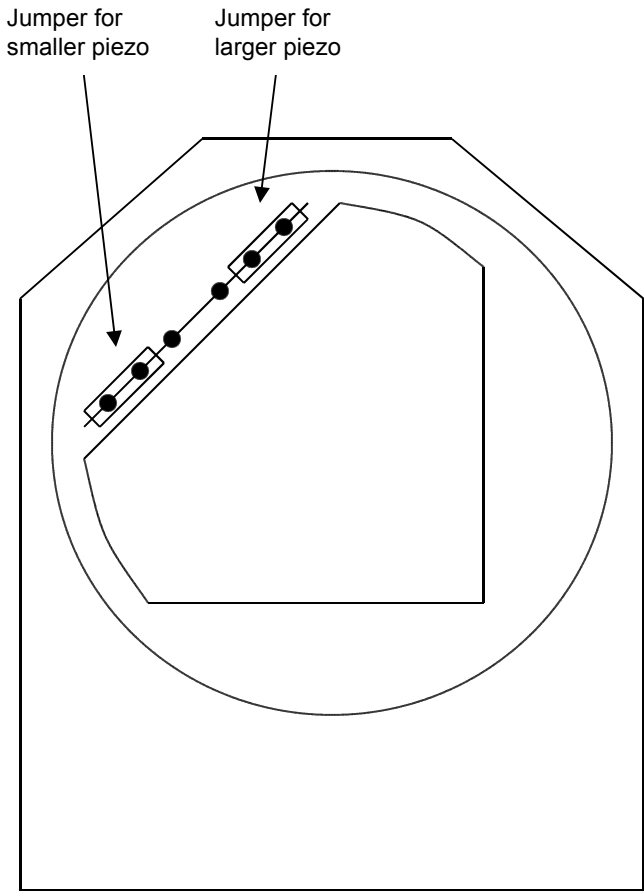
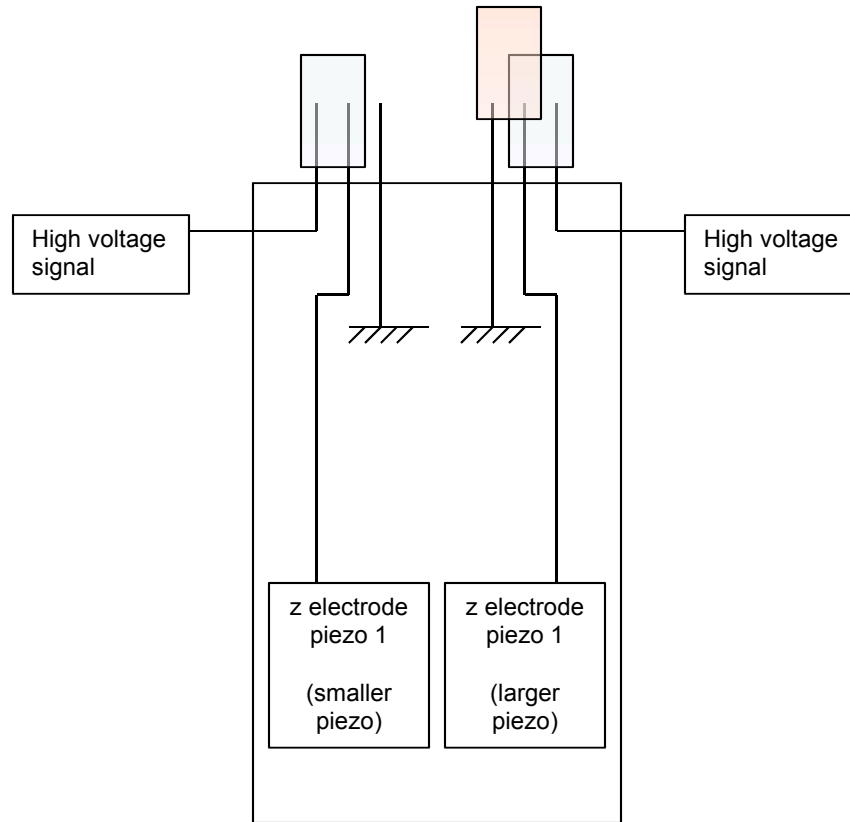


The large scanner in the MI consists of two independent piezo crystals. By grounding the z-voltage on one of the piezos, the z-range can be reduced from ~4.5 to ~1.5 micrometer to obtain a higher z-resolution when the full height is not needed. The cover on top of the scanner must be removed by unscrewing the two "inbussen" at the top. Below is a schematic of the scanner and the jumpers. For correct height measurements, another calibration file (AFML325 small z ??) must be used.



Top of scanner with cover removed



Schematic of circuit board with jumpers on top. By moving the right jumper one connector to the left, the z voltage on the larger piezo is grounded.